

Tradition Series

Solid-Wood Jamb – Rated (20 minutes)

J2220A

APPLIED T-STOP JAMB (3/4")

- 1 Hardwood
- 2 Hardwood door stop
- 3 Door
- 4 Corner rabbet type

SPECIFICATIONS

MINIMUM WALL THICKNESS:

4 9/16" (116 mm) up to 108" high

MINIMUM JAMB THICKNESS: 3/4" (19 mm)

ASSEMBLY: Please refer to installation instructions

MAXIMUM OPENING

- | Single 48" (1219 mm) x 108" (2743 mm)
- | Double 96" (2438 mm) x 108" (2743 mm)

CASING: 5/8" (15 mm) x 2 1/2" (64 mm)

SHIPPING: Unassembled (Knock Down)

WRAPPING: Each frame will be shipped in a cardboard box, with 1/32" (1 mm) foam and bundle wrapped.

Installation instructions and peel-and-stick door bumpers are included (mandatory)

WARRANTY: 3 years

NOTE

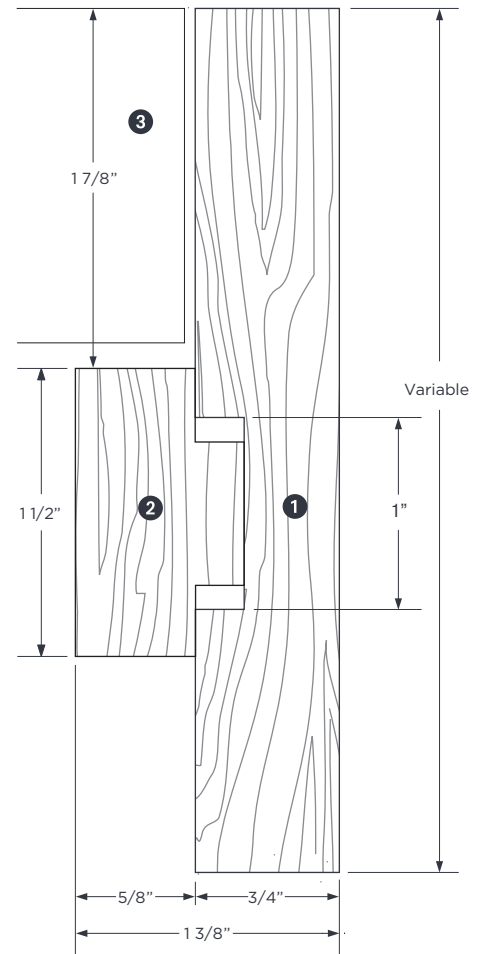
- | Mounting brackets are suggested for proper installation.
- | Installation requires a wood casing of 1/4" x 1 1/2" minimum.

OPTIONS

- | Other configurations upon request
- | Mounting brackets available
- | Pre-machining
- | Pre-finishing
- | Subject to evaluation. Contact us.

LEED CONTRIBUTION OPTIONS

- | Recycled content
- | FSC (on request)
- | NAUF or ULEF (on request)



JAMB ASSEMBLY

Head and jamb

