

## Tradition Series

### Solid-Wood Jamb – Non-Rated

# J2200A

#### APPLIED T-STOP JAMB (3/4")

- 1 Hardwood
- 2 5/8" (15.8 mm) x 1 1/2" (38.1 mm) hard - wood door stop (standard)
- 3 Door
- 4 Corner rabbet type

#### SPECIFICATIONS

**MINIMUM WALL THICKNESS:** 3 5/8" (92 mm)

**MINIMUM JAMB THICKNESS:** 3/4" (19 mm)

**ASSEMBLY:** Please refer to installation instructions

#### MAXIMUM OPENING

- | Single 48" (1219 mm) x 120" (3048 mm)
- | Double 96" (2438 mm) x 120" (3048 mm)

**CASING:** According to your needs

**SHIPPING:** Unassembled (Knock Down)

**WRAPPING:** Each frame will be shipped in a cardboard box, with 1/32" (1 mm) foam and bundle wrapped.

**Installation instructions and peel-and-stick door bumpers are included (mandatory)**

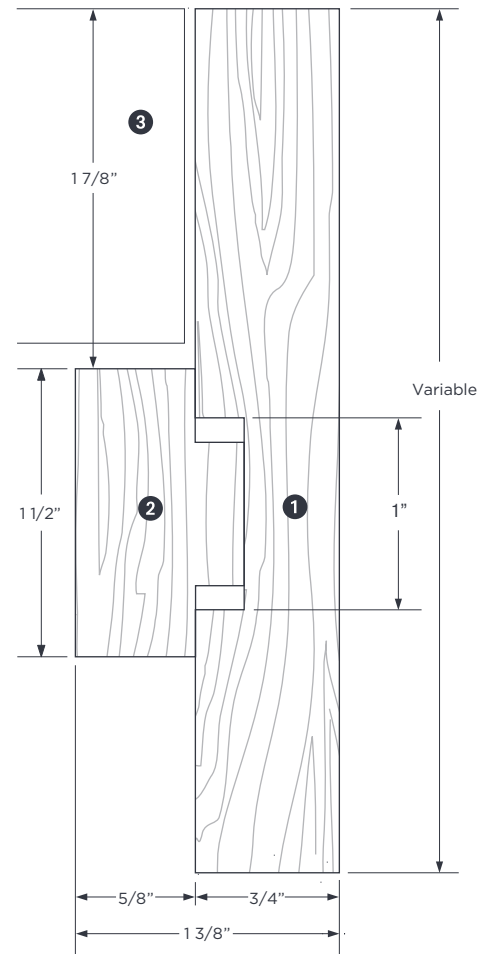
**WARRANTY: 3 years**

#### OPTIONS

- | Other configurations upon request
- | Mounting brackets available
- | Pre-machining
- | Pre-finishing
- | Subject to evaluation. Contact us.

#### LEED CONTRIBUTION OPTIONS

- | Recycled content
- | FSC (on request)
- | NAUF or ULEF (on request)



#### JAMB ASSEMBLY

Head and jamb

