

## Evolution Series

### Veneer Jamb - Non-Rated

# J1700A

#### DOUBLE INTEGRATED CASING JAMB (3/4")

- 1 1/32" wood veneer faces
- 2 3/4" (19 mm) plywood veneer
- 3 1/32" hardwood backing
- 4 1/32" wood veneer faces
- 5 5/8" (15.8 mm) plywood veneer door stop
- 6 Doors
- 7 Casing

#### SPECIFICATIONS

**MINIMUM WALL THICKNESS:** According to your needs

**ASSEMBLY:** Please refer to installation instructions

#### MAXIMUM OPENING

- Single: 48" (1219 mm) x 120" (3048 mm)
- Double: 96" (2438 mm) x 120" (3048 mm)

**CASING:** According to your needs

**SHIPPING:** Unassembled (Knock Down)

**WRAPPING:** Each frame will be shipped in a cardboard box, with 1/32" (1 mm) foam and bundle wrapped.

**Installation instructions and peel-and-stick door bumpers are included (mandatory)**

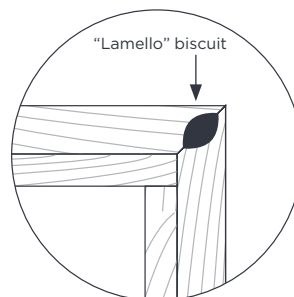
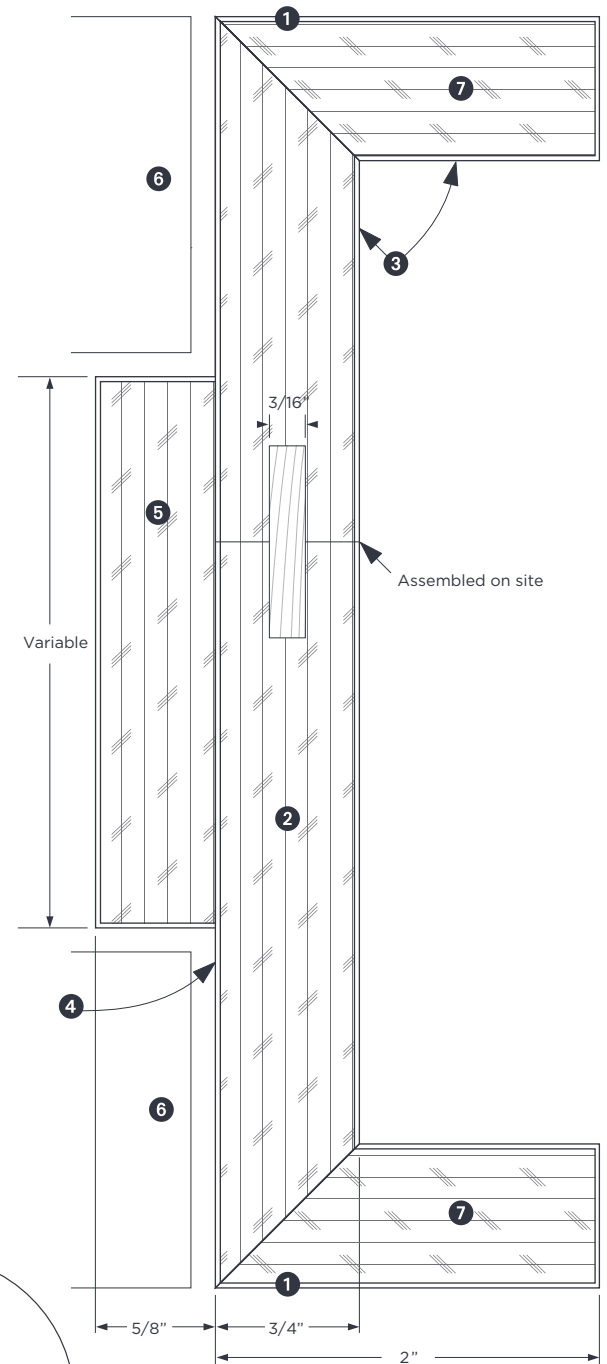
**WARRANTY: 3 years**

#### OPTIONS

- | Other configurations upon request
- | Mounting brackets available
- | Pre-machining
- | Pre-finishing
- | Subject to evaluation. Contact us.

#### LEED CONTRIBUTION OPTIONS

- | Recycled content
- | FSC (on request)
- | NAUF or ULEF (on request)



**JAMB ASSEMBLY**  
Head and jamb