

Evolution Series

Veneer Jamb - Non-Rated

J1200A

APPLIED T-STOP JAMB (3/4")

- 1 1/32" wood veneer faces
- 2 3/4" (19 mm) wood veneer
- 3 Hardwood backing
- 4 1/32" wood veneer faces
- 5 Wood veneer door stop
- 6 Door
- 7 Corner rabbet type

SPECIFICATIONS

MINIMUM WALL THICKNESS: 3 5/8" (92 mm)

ASSEMBLY: Please refer to installation instructions

MAXIMUM OPENING

- Single: 48" (1219 mm) x 120" (3048 mm)
- Double: 96" (2438 mm) x 120" (3048 mm)

CASING: According to your needs

SHIPPING: Unassembled (Knock Down)

WRAPPING: Each frame will be shipped in a cardboard box, with 1/32" (1 mm) foam and bundle wrapped.

Installation instructions and peel-and-stick door bumpers are included (mandatory)

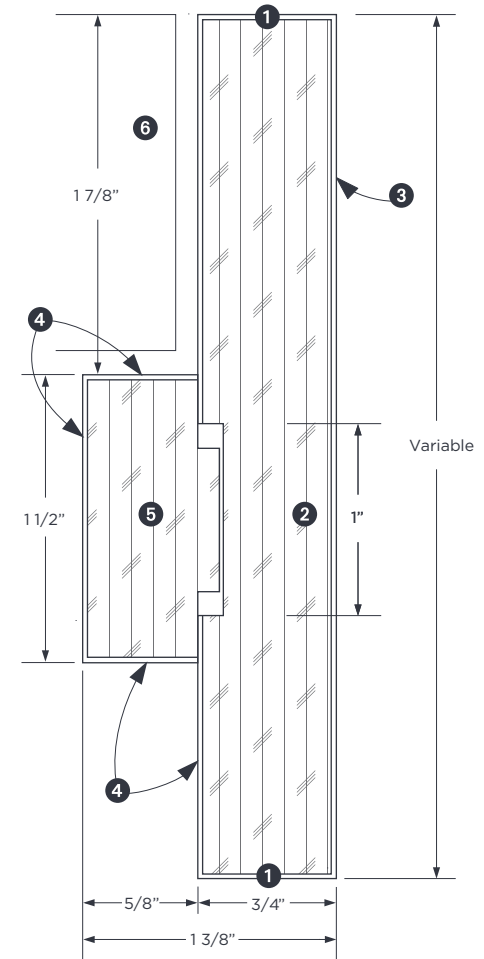
WARRANTY: 3 years

OPTIONS

- | Other configurations upon request
- | Mounting brackets available
- | Pre-machining
- | Pre-finishing
- | Subject to evaluation. Contact us.

LEED CONTRIBUTION OPTIONS

- | Recycled content
- | FSC (on request)
- | NAUF or ULEF (on request)



JAMB ASSEMBLY

Head and jamb

