

## Evolution Series

### Veneer Jamb – Non-Rated

**J1100A**

## Flat Jamb (3/4")

- 1 1/32" wood veneer faces
- 2 3/4" (19 mm) plywood veneer
- 3 Hardwood backing
- 4 1/32" wood veneer face
- 5 Corner rabbet type

### SPECIFICATIONS

**MINIMUM WALL THICKNESS:** 2 1/2" (64 mm)

**ASSEMBLY:** Please refer to installation instructions

### MAXIMUM OPENING

- | Single: 48" (1219 mm) x 120" (3048 mm)
- | Double: 96" (2438 mm) x 120" (3048 mm)

**CASING:** According to your needs

**SHIPPING:** Unassembled (Knock Down)

**WRAPPING:** Each frame will be shipped in a cardboard box, with 1/32" (1 mm) foam and bundle wrapped.

**Installation instructions and peel-and-stick door bumpers are included (mandatory)**

**WARRANTY: 3 years**

### NOTE

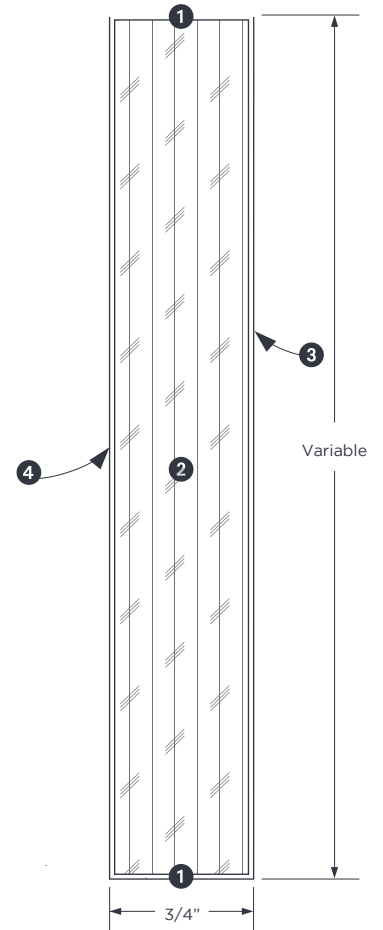
- | Mounting brackets are suggested for proper installation.

### OPTIONS

- | Other configurations upon request
- | \*Mounting brackets available
- | Pre-machining
- | Pre-finishing
- | ○ Subject to evaluation. Contact us.

### LEED CONTRIBUTION OPTIONS

- | Recycled content
- | FSC (on request)
- | NAUF or ULEF (on request)



### JAMB ASSEMBLY

Head and jamb

