

# AGRIFIBRE (Heavy Duty)

## AF60-MO/VE (5 ply)

### 60 MIN FIRE-RESISTANT DOOR, NEUTRAL PRESSURE, FOR INTENSIVE USE

**1 STILES:** Special construction. High-density mineral and untreated hardwood (minimum **1 3/8" (35 mm)**):

**MO:** Manufacturer's choice.

**VE:** Covered with 1/32" (0.7938 mm) wood veneer, matched with faces.

**Bonded to core.**

**2 TOP AND BOTTOM RAILS:** Special construction compliant with W/H label requirements. High-density mineral (minimum 2"). **Bonded to core.**

**3 CORE:** Low combustible agrifibre. Density of 28-32 lbs per cubic foot.

**4 FACES:** Wood veneer (choice of face veneers; 2 ply plywood), hardboard panel or plastic laminate glued to composite crossband.

**GLUE:** Type 1 PVA Cross-link.

**MAXIMUM DIMENSIONS:** single - 4' x 8'

**NOTE:** Max. 3/4" (19 mm) cut allowed at bottom of door upon installation (see NFPA 80).

**INTERIOR use**

**WARRANTY:** Lifetime

For technical information, please consult our "AF60 Technical Specification" sheet

#### WARNING

Pre-machining must be done in factory or by an authorized distributor in order to maintain our warranty and comply with W/H requirements (see NFPA 80).

Certain applications may require hardware reinforcement. Pilot holes required.

Single doors only. No opening allowed

#### NOTE

Dimensions are nominal before trimming.

#### OPTIONS

Positive pressure available (PP) or (AF60-MO/VE (PP)).

Hardware reinforcements.

Thickness up to 2".

#### SOUND RATED OPTION

Available 29dB depending on configuration of soundproofing hardware.

For optimization, see our soundproof construction.

#### LEED CONTRIBUTION OPTIONS

EPD

Recycled content

Rapidly renewable LEED 2009

FSC

NAUF or ULEF (on request)

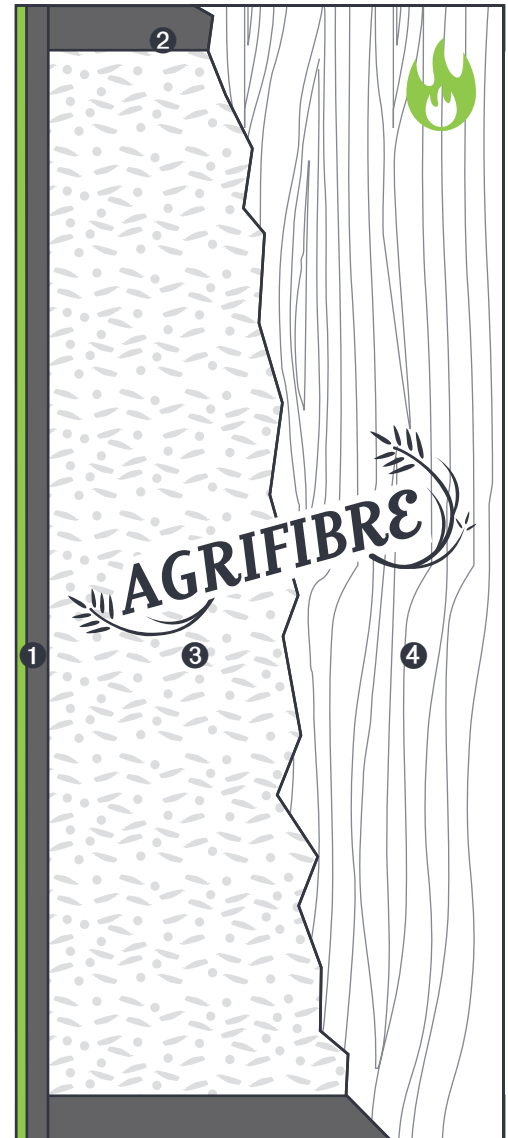
#### PERFORMANCE MEASUREMENT

ANSI/WDMA 1.S.1A

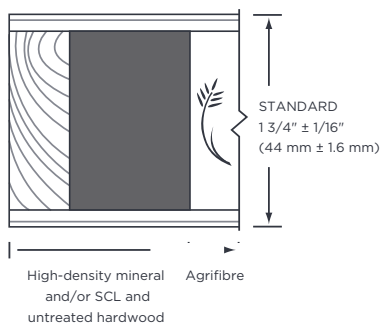
AWS

Intertek WH-ETL

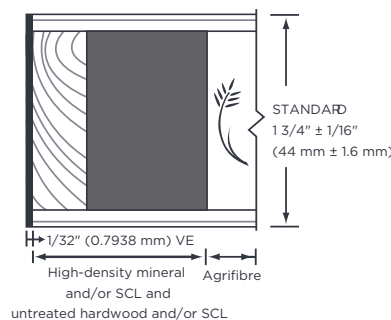
NFPA 80



#### 1 STILES MO



#### 1 STILES VE



#### 2 RAILS

